

**SPECIFICATION DATA SHEET**

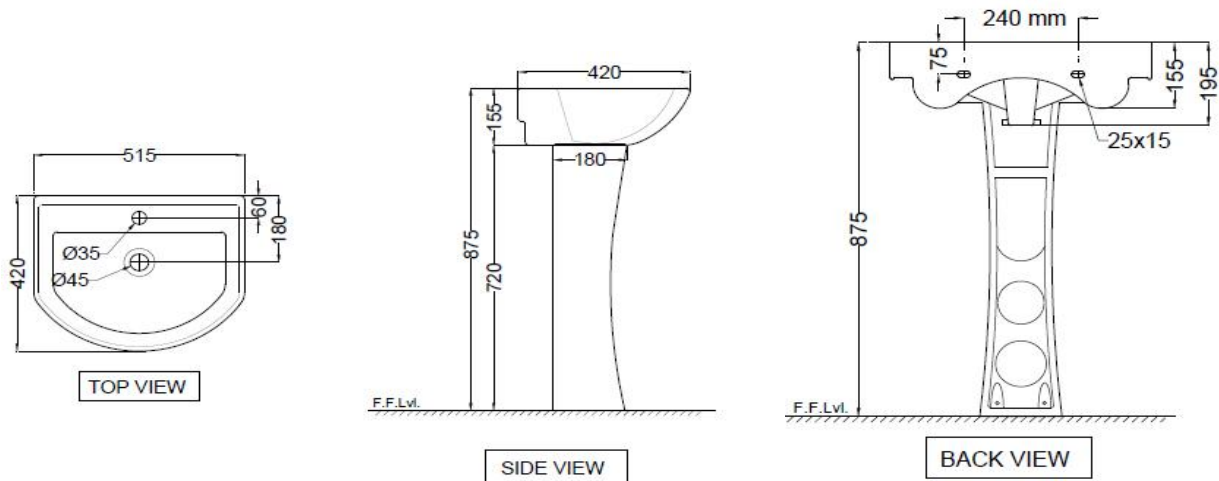
**PRODUCT DETAILS**

<b>Manufacturer :</b>	ESSCO	<b>Type:</b>	Wall Hung Basin
<b>Outlet</b>	Vertical	<b>Colour:</b>	White
<b>Technical Details:</b>	Tap hole dia. $\varnothing 35 \pm 2$ mm	<b>Material:</b>	Ceramic - Vitreous China
	ID of waste outlet hole dia. $\varnothing 45 \pm 3$ mm Horizontal distance between the center line of the tap hole and the center line of the waste outlet hole $\leq 120$ mm		

**PRODUCT IMAGE**



**TECHNICAL DRAWING**



<b>Product Dimension</b>	515x420x195 mm With pedestal 875 mm	<b>FEATURES</b>  Basin with Tap Hole, Fixing Accessories, Anti germ glaze
<b>Basin Inner Dimension</b>	420X270X150 mm	
<b>Product Weight</b>	11.5 kg	
<b>ACCESSORIES INCLUDED</b>		
Overflow hole Cap		ZPS-WHT-9012
Basin fixing screw		ZPS-MST-RB03
<b>ACCESSORIES EXCLUDED</b>		

**CERTIFICATION**

**Compliance :** IS 2556.2:2004, IS 2556.1:1994 , EN 997 :2012+A1, BS EN 14124:2004/CE

**All technical dimensions are in accordance to British standards, Bureau of Indian Standards**



**DISCLAIMER:** Our every effort has been made to ensure factual accuracy, the information presented subject to changes due to requirements in different sites, markets and/ or countries. All dimensions are in mm (Tolerance  $\pm 5$  MM). Jaquar reserves the right to make the necessary amendments at any time without prior notice.